



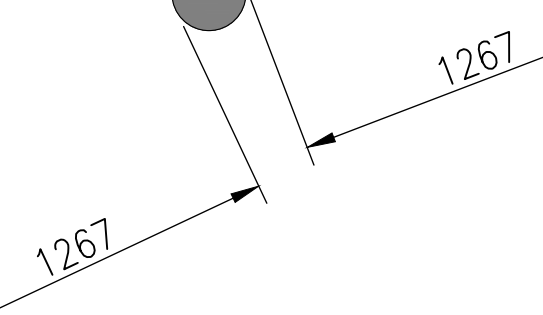
BACK SWINEGATE

OSCARS WINE
BAR & BISTRO

LAS IGUANAS

FINKLE STREET

1No. PAS 68 50mph
RATED BOLLARD



NOTES

LOCATIONS SUBJECT TO POSITION OF SERVICES
AND OTHER BELOW GROUND OBSTRUCTIONS TO
BE DETERMINED BY GPR AND OR TRIAL PITS.
GENERAL ARRANGEMENT IS SUBJECT TO
CELLARS AND UTILITIES BEING LOCATED.

KEY

● STATIC BOLLARD

PRELIMINARY



Montfort Lodge t: +44 (0)1794 516171
Botley Road f: +44 (0)1794 524460
Romsey e: mail@mfdgroup.co.uk
Hampshire
SO51 5SW
United Kingdom w: www.mfdgroup.co.uk

REV	DATE	DESCRIPTION	CAD	CHKD
3	12.08.19	FOR PLANNING	WD	NCG
2	06.08.19	FOR PLANNING	WD	NCG
1	24.06.19	FOR PLANNING	WD	WW

CLIENT



PROJECT

YORK CITY CENTRE HVM

TITLE

FINKLE STREET

SCALE 1:50 @ A3

DATE 22.06.19

DESIGN/CAD WD

REVIEWED BY WW

DRAWING NUMBER
5206-MFD-00-XX-DR-C-22000

REV
3

NOTES

- DO NOT SCALE DRAWING. USE FIGURED DIMENSIONS AND LEVELS ONLY. ALL SIZES ARE IN MILLIMETRES.
- THE CONTRACTOR IS TO VERIFY DIMENSIONS AND LEVELS ON SITE PRIOR TO STARTING WORK. ANY DISCREPANCIES TO BE REPORTED TO THE ENGINEER FOR CLARIFICATION BEFORE PROCEEDING WITH THE CONSTRUCTION.
- ALL SPECIFIED MATERIALS SHALL BE USED IN ACCORDANCE WITH THE MANUFACTURERS RECOMMENDATIONS.
- NOMINATION OF PROPRIETARY ITEMS DOES NOT INDICATE EXCLUSIVE PREFERENCE BUT THE REQUIRED PROPERTIES AND PERFORMANCE OF THE ITEM. SIMILAR ALTERNATIVES HAVING THE EQUIVALENT PROPERTIES MAY BE USED.

NOTES CONTINUED

THIS DRAWING IS THE COPYRIGHT © OF MFD INTERNATIONAL LTD. IT IS PRIVATE AND CONFIDENTIAL AND IS SUPPLIED ON THE EXPRESS CONDITION THAT IT IS NOT USED FOR ANY PURPOSE OR COPIED OR COMMUNICATED TO ANY OTHER PARTY WITHOUT THE WRITTEN CONSENT OF MFD INTERNATIONAL LTD.